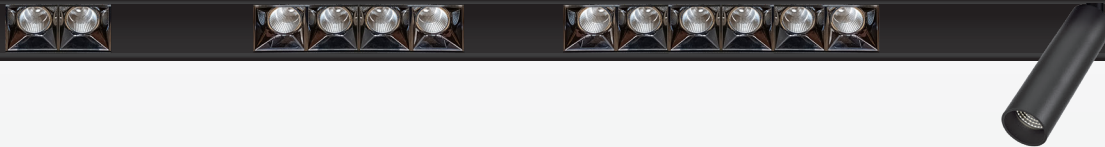


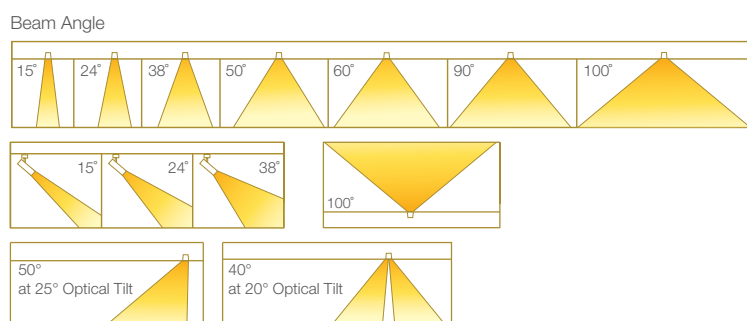
SPACE² XL

MAGNETIC TRACK SERIES

A premium 48V powered extra low voltage magnetic track system with superior aesthetics and built quality. Space2 magnetic track series includes a selection of different luminaires forms that are magnetically attached onto the track and can be flexibly positioned or interchanged at any time for various illumination applications within spaces.



Module Colour Temperature Variation



Driver Dimming Variation



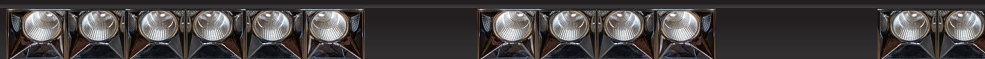
SPACE² XL DOT LIGHT FIX

18.9W / 12.6W / 6.3W MAGNETIC TRACK LUMINAIRE

18.9W

12.6W

6.3W



AVAILABLE OPTIONS

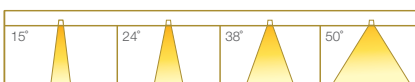
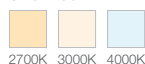
FIXTURE COLOUR OPTIONS

MATT BLACK RAL9011



LED MODULE

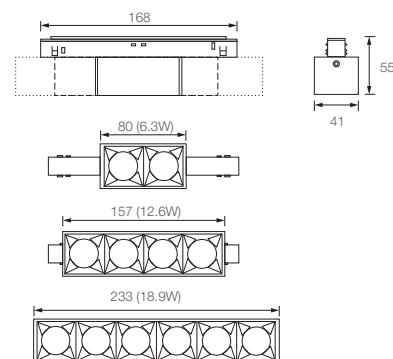
SINGLE CCT



DRIVER DIMMING



DIMENSIONS (MM)



SPECIFICATIONS

Family Type	Space ² XL Series
Input Voltage	48V DC Constant Voltage
Input Power	18.9W, 12.6W, 6.3W
Lifetime	50,000 hours (80% lumen maintenance at Ta = 25°C), B10
Beam Angles	15°, 24°, 38°, 50°
Colour Temperatures	2700K, 3000K, 4000K
CRI	ProART (CRI-95)
SDCM	3 steps MacAdam ellipse binning
Driver (Dimming)	Non-dim, 0-10V, DALI, CASAMBI
Mains Connection	Magnetic track
Materials	Aluminium, plastic
Fire Safety	VW-1
Flammability Mark	F
Ingress Protection	IP40
Regulatory Markings	CE, CCC, RoHS

PHOTOMETRICS

SPACE² XL DOT LIGHT FIX

Height (m)	E(0°)	Emax (lx)				SPACE ² XL DOTLIGHT FIX 18.9W / 12.6W / 6.3W		Luminous Flux (lm)
		15°	24°	38°	50°	Input Power	CRI	3000K 15°, 24°, 38°, 50°
1	E(0°)	14531	8880	4381	2674	18.9W	ProART CRI-95	1800
	Cone Ø (m)	0.30	0.44	0.68	0.92			
2	E(0°)	3633	2220	1095	669	12.6W	ProART CRI-95	1200
	Cone Ø (m)	0.60	0.89	1.35	1.85			
3	E(0°)	1615	987	487	297	6.3W	ProART CRI-95	600
	Cone Ø (m)	0.90	1.33	2.03	2.77			
4	E(0°)	908	555	274	167	<small>Data are based on 3000K (ProART CRI-95). Nominal data of 2700K and 3500K are shared with 3000K. Higher CCT of 4000K and 5000K will have a nominal data value of 5% higher than published. (f = 1.05) Nominal CRI-95, equals to Ra>90-97, R9>50</small>		
	Cone Ø (m)	1.20	1.77	2.71	3.70			
5	E(0°)	581	355	175	107			
	Cone Ø (m)	1.50	2.22	3.38	4.62			

Correction Factor: SPACE² XL DOTLIGHT FIX 12.6W - f = 0.67
SPACE² XL DOTLIGHT FIX 6.3W - f = 0.33

ORDERING MATRIX CHART

Fixture			LED Module				Driver			
Type	Angle	Colour	Input Power		Beam Angle	Colour Temp		CRI	Dimming	
SXL-DOT	FX Fix	MB Matt Black	18	18.9W	15	15°	27	2700K	PA ProART	ND Non-Dim
			12	12.6W	24	24°	30	3000K		AN 0-10V
			6	6.3W	38	38°	40	4000K		DA DALI
					50	50°				CSB Casambi

example: SXL-DOT.FX.MB.18.24.30.PA.DA